

**SPECIAL
TACTICAL**

SERVICES



SPECIAL TACTICAL SERVICES, LLC IS COMMITTED TO PROVIDING THE HIGHEST LEVEL OF TRAINING POSSIBLE TO ALL OF OUR CLIENTS. OUR INSTRUCTOR-STAFF IS CAREFULLY CHOSEN AND SCREENED TO ENSURE THAT OUR CLIENTS RECEIVE THE BEST TRAINING AVAILABLE. STS OFFERS A WIDE VARIETY OF TRAINING PROGRAMS THAT ARE GUARANTEED TO MEET YOUR MISSION REQUIREMENTS. OUR INNOVATIVE TRAINING TECHNIQUES ALLOW US TO PROVIDE ONE-ON-ONE INSTRUCTION TO ENHANCE EACH INDIVIDUAL'S POTENTIAL.

SPECIAL TACTICAL SERVICES

PH: (757) 554-0699
FX: (208) 693-9692
TRAINING@SPECTACSERV.COM

1569 DIAMOND SPRINGS RD
SUITE B
VIRGINIA BEACH, VA 23455



OUR TRAINING PROGRAMS ARE CUSTOM DESIGNED FOR BOTH UNIT AND INDIVIDUAL NEEDS AND REQUIREMENTS. THROUGH OUR PROGRESSIVE APPROACH TO TRAINING, WE WILL MAXIMIZE EACH STUDENT'S ABILITIES AND INSTILL THE SKILLS REQUIRED TO MAKE TIME RELATED DECISIONS WHILE UNDER STRESS.

THE GOAL OF STS IS TO PROVIDE SAFE, QUALITY TRAINING THAT ALLOWS EACH STUDENT TO ANSWER THE QUESTIONS:

WILL IT WORK?

IS IT NECESSARY?

CAN I DUPLICATE IT UNDER STRESS?

DEDICATED TO DEFENSE



FIREARMS & TACTICAL TRAINING

OUR GOAL IS TO TEACH MILITARY, LAW ENFORCEMENT AND PROFESSIONAL SECURITY PERSONNEL THE LIFE SAVING SKILLS NECESSARY TO PROTECT THEMSELVES AND/OR OTHERS THROUGH SUPERIOR FIREARMS AND TACTICAL TRAINING.

OUR TRAINING STAFF IS HANDPICKED FOR THEIR ABILITIES, EXPERIENCE, INTEGRITY, EXPERTISE, AND CREDIBILITY. THE INSTRUCTORS AT STS WILL DEMONSTRATE EVERYTHING THAT IS EXPECTED OF EACH STUDENT TO THE LAST DETAIL. OUR PROGRAMS HAVE ENABLED THOUSANDS OF STUDENTS TO BECOME MORE COMPETENT, PROFICIENT AND CONFIDENT WITH THE SKILLS LEARNED FROM THE STS STAFF.

STS Provides Expert Level Firearms Instruction On:

- Handgun
- Carbine/Rifle
- Shotgun
- Precision Rifle

Foreign weapons to include DShK, PKM, RPD, RPK, AK variants and others.

STS Training Is Based On 6 Fundamentals:

- Winning Mind-set
- Honing the Fundamentals
- Consistency
- Smooth Transitions and Economy of Motion
- Never Sacrificing Accuracy and/or Speed for Ability
- Repetition



EACH DAY SPENT WITH STS WILL RESULT IN A HIGHER SKILL LEVEL THROUGH LEARNING HOW TO PERFORM UNDER STRESS IN ADVERSE CONDITIONS THROUGH REALITY-BASED TRAINING. OUR GOAL IS TO SET A HIGHER STANDARD IN TRAINING FOR THOSE WHO DEPEND ON US TO INCREASE THEIR SURVIVABILITY IN

EXTREME SITUATIONS.



FOREIGN WEAPONS

OUR FOREIGN WEAPONS TRAINING COURSES ARE DESIGNED TO MORE THAN JUST FAMILIARIZE ATTENDEES WITH THESE WEAPONS. THESE IN-DEPTH COURSES WILL ENSURE THAT EACH STUDENT HAS A COMPLETE UNDERSTANDING OF THEIR **CAPABILITIES AND OPERATIONAL EFFECTIVENESS.** OUR FOREIGN WEAPONS COURSES INCLUDE BOTH OPERATOR TRAINING COURSES AND ARMORER COURSES.

Operator Course Objectives:

- Safety, Characteristics & Variants
- Disassembly/Assembly & Function Check
- Maintenance/Cleaning & Lubrication
- In-Field Repairs & Troubleshooting
- Loading/Unloading & Condition Codes
- Operation & Handling
- Cycle of Operation
- Malfunctions & Stoppages
- Immediate & Remedial Action
- Trigger Control Drills
- Single & Multiple Target Engagement
- Reloading Procedures & Malfunction Drills

Armorer Course Objectives:

- Characteristics & Accessories
- Design Fundamentals
- Manufacturer Bulletins
- Cycle of Operation
- Level I & II Disassembly
- Component Analysis & Inspection Procedures
- Gauging Requirements & Procedures
- Maintenance/Cleaning & Lubrication
- Assembly & Function Checks
- Repair Parts & Special Tools
- Special Maintenance Requirements
- In-Field Repairs
- Malfunctions & Stoppages
- Failure Analysis & Troubleshooting

Course Specifications:

- 1 Day to 5 Day Programs Available
- Instructor/Student Ratio - 1:6

Student Requirements:

- **Gear:** Eye/Ear Protection, Appropriate Clothing, Mission Essential Equipment as Required
- **Ammunition:** Course and Range Dependent

STS can provide weapons, ammunition and ancillary equipment upon request.

Our Training Courses Cover the Following Weapon Systems:

- SVD
- AK-47
- AK-74
- RPK
- PKM
- SKS
- RPD
- DShK
- RPG-7
- FAL
- TOKAREV & MAKAROV PISTOLS



OUR CREW SERVED WEAPONS TRAINING COURSES HAVE REVOLUTIONIZED THE WAY IN WHICH MACHINE GUN TRAINING IS CONDUCTED. THESE PROGRAMS FOCUS ON MODERN CREW SERVED WEAPONS TRAINING AND EMPLOYMENT. OUR PROVEN COURSES OF INSTRUCTION WILL TAKE EACH MACHINE GUNNER TO THE NEXT LEVEL AND INCREASE THE SURVIVABILITY OF THOSE WHO DEPEND ON THESE SYSTEMS IN

HOSTILE AREAS.

CREW SERVED WEAPONS

Training Objectives:

- Machine Gun Safety
- Characteristics & Variants
- Disassembly/Assembly & Function Check
- Maintenance/Cleaning & Lubrication
- Headspace & Timing
- In-Field Repairs & Troubleshooting
- Loading/Unloading & Condition Codes
- Cycle of Operation
- Immediate & Remedial Action
- Mounts & Accessories
- Zeroing Procedures
- Reloading & Malfunction Stoppages
- Traverse & Elevation Devices
- Leading and Strafing as it Applies to Moving Targets
- Night Shooting
- Waterborne/Airborne Applications
- Convoy Operations

Course Specifications:

- 1 Day to 5 Day Programs Available
- Instructor/Student Ratio - 1: 6

Student Requirements:

- **Gear:** Weapon(s), Eye/Ear Protection, Appropriate Weather Clothing, Mission Essential Equipment as Required
- **Ammunition:** Course and Range Dependent

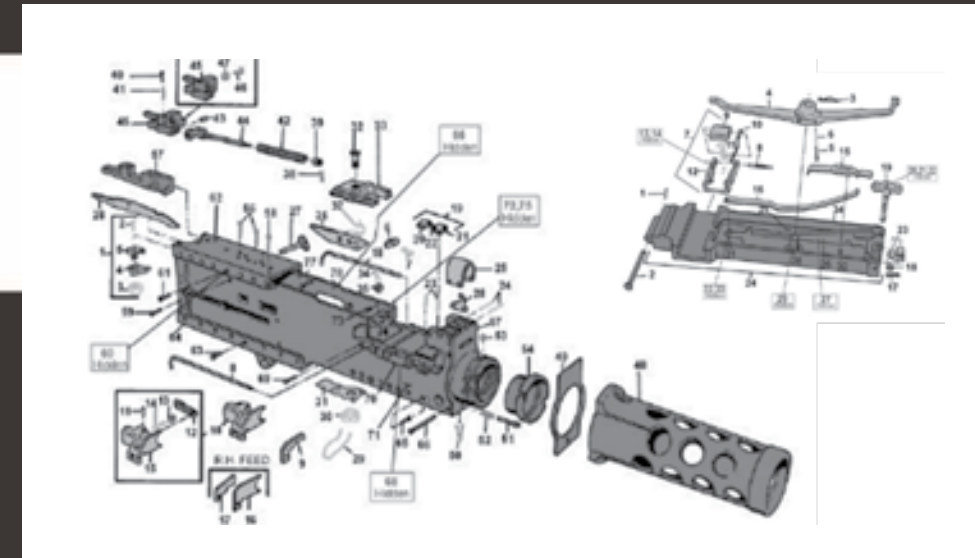
STS can provide weapons, ammunition and ancillary equipment upon request.

Our Training Courses Cover the Following Weapon Systems:

- M249 (all variants)
- M240 (all variants)
- M60 (all variants)
- M2HB/M2QCB
- Mk19 Mod 3
- M134/GAU-17
- M203

ARMORER

OUR ARMORER COURSES ARE THE MOST COMPREHENSIVE PROGRAMS AVAILABLE. EVERY ASPECT OF THE WEAPON SYSTEM AND COMPONENTS WILL BE COVERED IN GREAT DETAIL. OUR INSTRUCTOR STAFF BRINGS THE HIGHEST LEVELS OF CERTIFICATIONS IN THE INDUSTRY. STUDENTS WILL BECOME INTIMATELY FAMILIAR WITH ALL ASPECTS OF ARMORER RELATED INSPECTION, GAUGING, AND MAINTENANCE PROCEDURES. A LIVE-FIRE COMPONENT CAN BE ADDED TO THESE PROGRAMS TO FACILITATE IN-FIELD REPAIRS AND TO ALLOW THE STUDENTS TO MORE **ACCURATELY TROUBLESHOOT** AND REMEDY PROBLEMS AS THEY OCCUR.



Training Objectives:

- Weapon Related Safety
- Characteristics & Accessories
- Design Fundamentals
- Manufacturer Bulletins
- Cycle of Operation
- Level I & Level II Disassembly
- Component Analysis
- Inspection Procedures
- Gauging Requirements & Procedures
- Maintenance/Cleaning & Lubrication
- Assembly & Function Checks
- Repair Parts & Special Tools
- Special Maintenance Requirements
- In-Field Repairs
- Malfunctions & Stoppages
- Failure Analysis
- Troubleshooting

Course Specifications:

- 2 Day to 5 Day Programs Available
- Instructor/Student Ratio - 1: 6
- Student requirements are course dependent.

STS can provide weapons, ammunition and ancillary equipment upon request.

Our Armorer Training Courses Cover the Following Weapon Systems:

- Handguns (M1911, M9, M11 & Others)
- M16 Series (all variants)
- Shotguns (M500, 870, M1014)
- M249 (all variants)
- M240 (all variants)
- M2HB/ M2QCB/ M3
- Mk19 Mod 3
- M203
- GAU-17/ M134
- Plus Many Foreign Weapons



INSTRUCTOR DEVELOPMENT

Training Objectives:

- Safety
- Training Philosophy & Methodologies
- Program Development
- Levels of Awareness
- Instructor Criteria
- Marksmanship Fundamentals
- Reality & Stress Based Training
- Unconventional Training Techniques
- Building a Drill
- Troubleshooting Student Errors
- Safely and Correctly Introduce Malfunctions
- Developing Classroom Presentations
- Proper Use of Audio-Visual Material
- Range Versatility, Limitations & How To Maximize Their Use
- Steel & Other Target Considerations
- Range Set Up & Management
- Night Shoots
- Dynamic Live Fire Events

Course Specifications:

- 3 Day to 5 Day Programs Available
- Instructor/Student Ratio - 1: 6
- Student Requirements are course dependent.

STS can provide weapons, ammunition and ancillary equipment upon request.

OUR INSTRUCTOR DEVELOPMENT COURSES ARE COMPREHENSIVE COURSES THAT FOCUS ON DEVELOPING THE MIND-SET AND SKILLS NECESSARY TO SIMPLIFY THE PROCESS IN WHICH FIREARMS TRAINING IS CONDUCTED. STUDENT INSTRUCTORS WILL LEARN TO ANALYZE AND CORRECT STUDENT DEFICIENCIES. THIS COURSE UTILIZES A COMBINATION OF LECTURE, CLASSROOM, AND PRACTICAL EXERCISES. THIS IS AN INTENSE AND COMPLEX COURSE THAT WILL INCREASE THE SKILLS, INSTRUCTIONAL ABILITIES, AND CONFIDENCE OF THOSE TASKED WITH FIREARMS INSTRUCTION.

RESULTS ARE GUARANTEED!

Our Instructor Development Courses Cover the Following Weapons:

- Handgun
- Rifle/Carbine
- Shotgun
- Machine Gun
- Grenade Launcher
- Precision Rifles
- Foreign Weapons

WWW.SPECTACSERV.COM
GSA CONTRACT #GS07F5599P